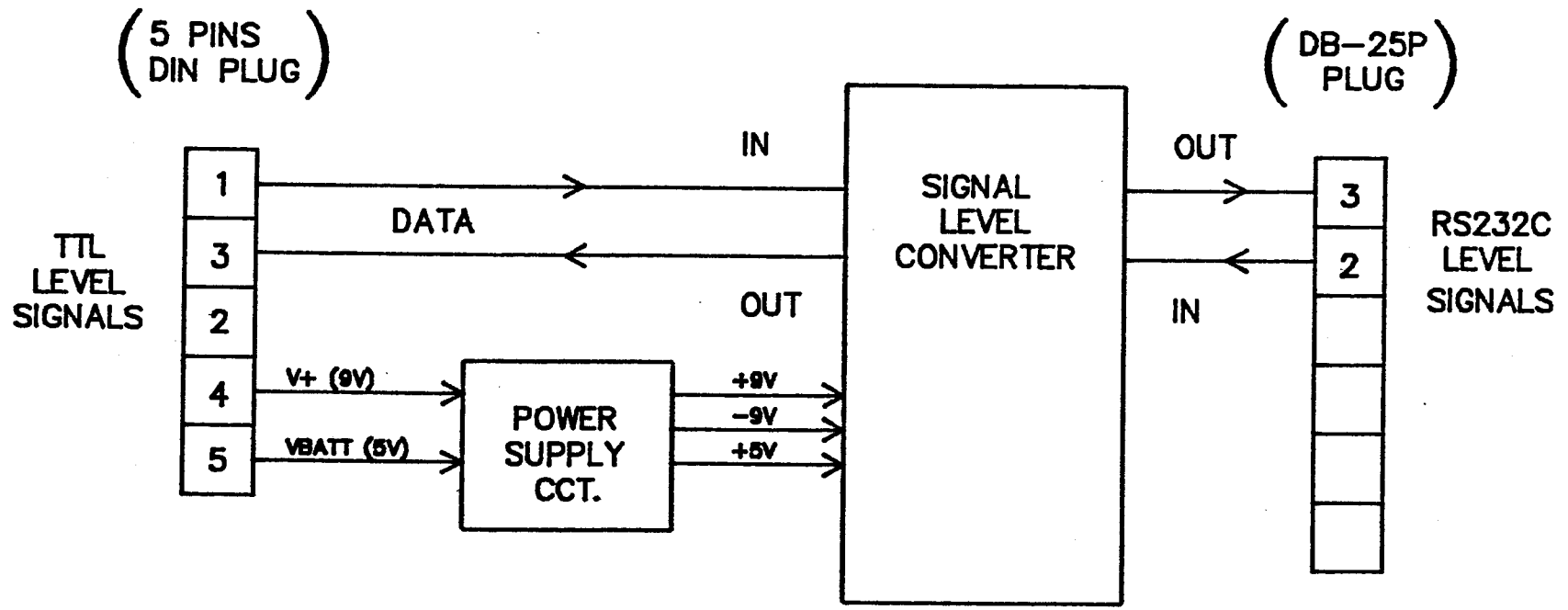


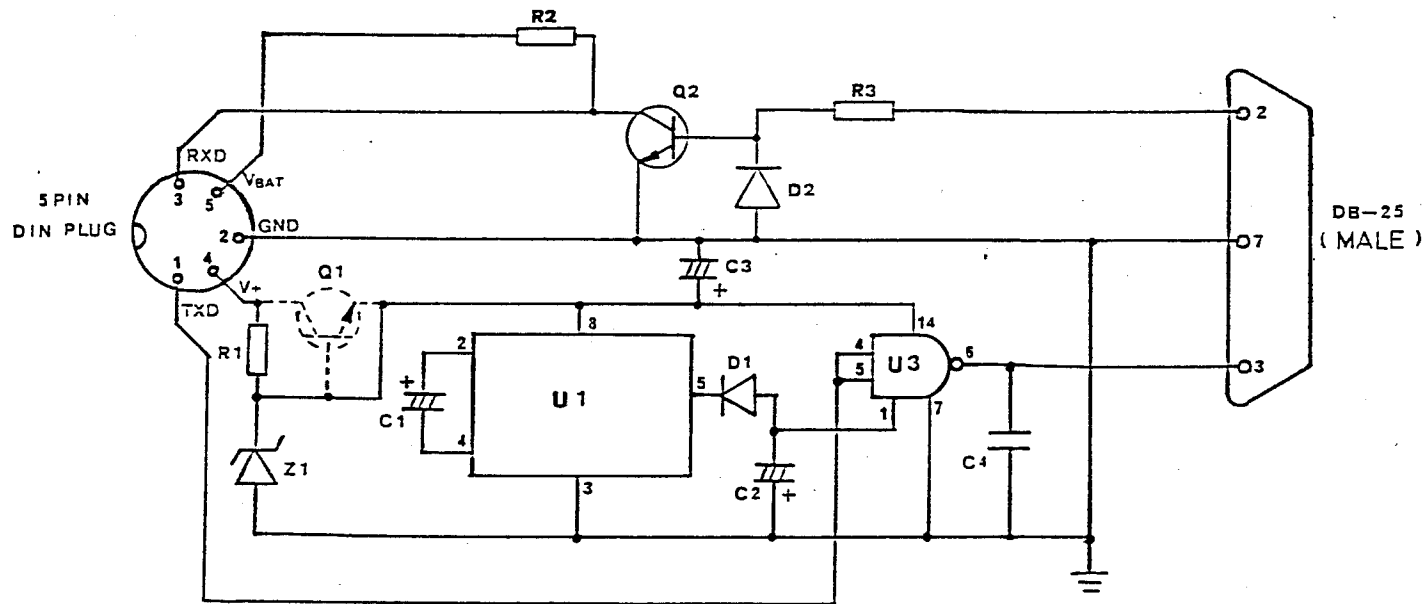
ORIGINAL

REVISIONS		
DATE	DESCRIPTION	ECN NO.



APPROVALS	DATE	SciSys-W Ltd.	
DRAWN Ed.W	9/9/87	SCHEMATIC DRAWING	
R.E. <i>[Signature]</i>	24.9.87	TITLE: RS-232C ADAPTOR II	BLOCK DIAGRAM
P.I.E. <i>[Signature]</i>	25.9.87	592	
Q.A. <i>[Signature]</i>	25.9.87	DWG. NO. VCON - PE - 019	REV. 0

ORIGINAL



Q1 — OPTIONAL

		<b>SciSys-W Ltd.</b>	
TITLE: ADAPTOR II			
592 SCHEMATIC DIAGRAM			
DWG. NO. VCON-PE-016		REV. 0	
UNIT	SCALE	TOL.	
MATERIAL		DATE 13-5-87	
FINISH		DRAWN <i>Deby</i>	
REV	REVISION	DATE	APPD. BY <i>G. J. J.</i> ENG. G.A. <i>[Signature]</i>

ADAPTER II PARTLIST  
 CREATED 14 MAY 87  
 SCHEMATIC DWG : VCON-PE-016  
 LOGIC PCB NO. : VCONIA-PE-005

REV. 2  
 UPDATED 24 JUNE 87  
 REV. 0  
 REV. 0

ITEM DESCRIPTION	QTY.	REFERENCE
*** LOGIC BOARD ASSEMBLY ***		
LOGIC PCB (S-SIDED, 63x32mm)	1	
1 I.C.: ICL7660	1	U1
1 1488	1	U3
1 TRANSISTOR NPN 9014	1	Q2
ZENER DIODE, 10V 1/2W	1	Z1
DIODE IN4148	2	D1,D2
RESISTOR (1/2W, +/-5%, C-FILM): 47	1	R1
RESISTOR (1/4W, +/-5%, C-FILM): 4K7	2	R2,R3
CAPACITOR:		
10uF/16V ELECT.	2	C1,C2
100uF/16V ELECT.	1	C3
0.0001uF CER.	1	C4
*** ELECTRO-MECHANICAL ACCESSORIES ***		
1 DB25 CONNECTOR MALE PLUG W/HOUSING & 1.5M 3-CORE NON-SHIELDING CABLE	1	
1 DIN PLUG (5 PIN)	1	
DIN PLUG CLAMPING PLATE	1	
STRANDED WIRE, AWG 28, 4mm STRIPPED & TINNED AT BOTH ENDS L=30mm (FOR DIN PLUG)	5	
1 NAME PLATE (AL)	1	
1 SWITCH COVER (PVC)	1	
CABLE TIE (4")	1	
1 RATING PLATE	1	
BARE JUMPER WIRE L=12mm	7	J1,J2
SCREWS (SELF-TAP, CROSS RECESS, BINDING HEAD, TYPE BT):		
M2.6x10 (FOR CAB.)	1	
M2.6x8mm (FOR CLAMPING PLATE)	2	
*** PLASTIC ***		
1 PLASTIC SET:	1	
TOP CABINET	1	
BOTTOM CABINET	1	