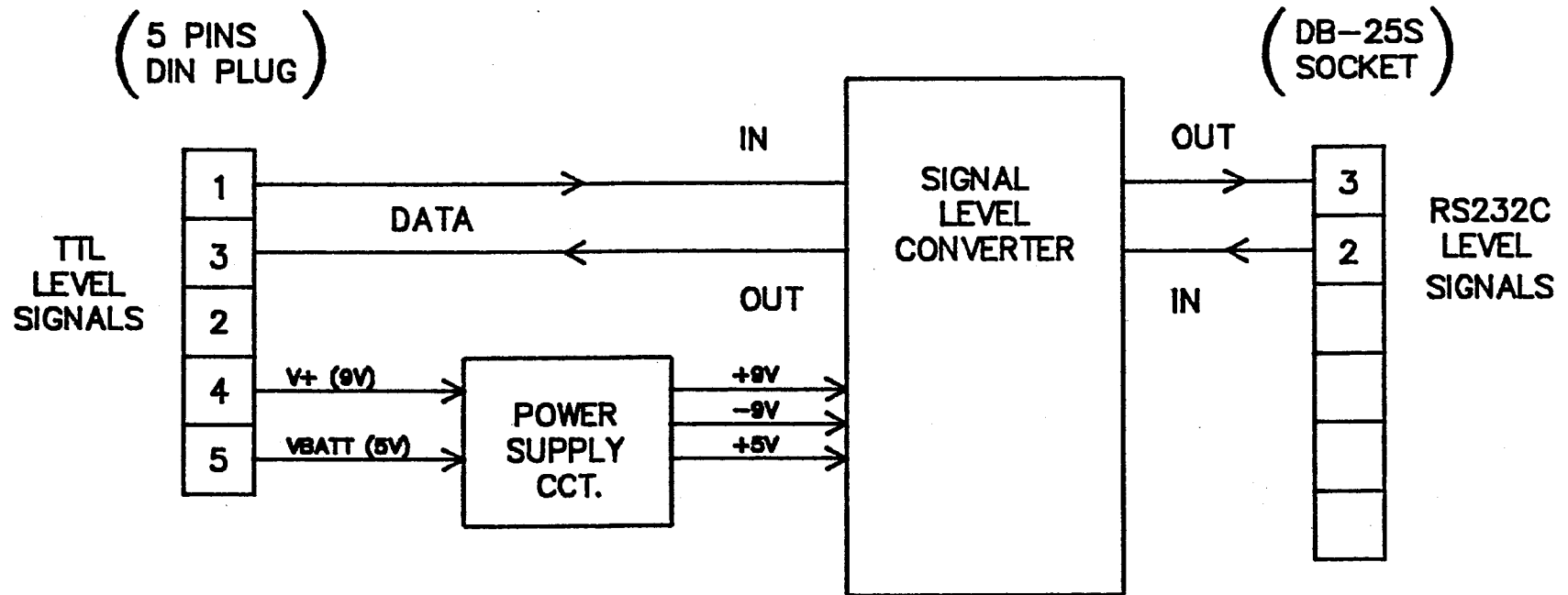


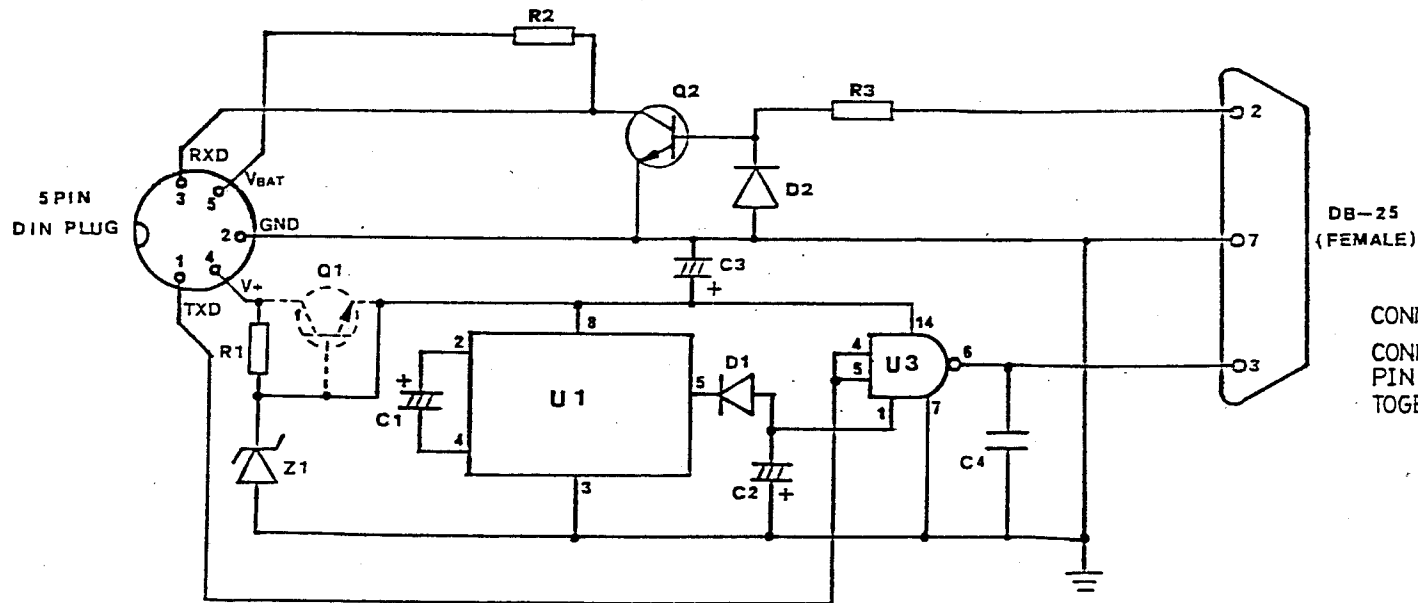
ORIGINAL

REVISIONS		
DATE	DESCRIPTION	ECN NO.



APPROVALS	DATE	SciSys-W Ltd.	
DRAWN Ed.W	9/9/87	SCHEMATIC DRAWING	
R.E. <i>[Signature]</i>	24.9.87	TITLE:	RS-232C ADAPTOR III
P.I.E. <i>[Signature]</i>	25.9.87	<b>593</b>	BLOCK DIAGRAM
Q.A. <i>[Signature]</i>	25.9.87	DWG. NO. VCON - PE - 020	REV. 0

ORIGINAL



CONNECT PIN 4 TO PIN 5  
CONNECT PIN 6, PIN 8,  
PIN 20 AND PIN 22  
TOGETHER.

Q1 — OPTIONAL

		<b>SciSys-W Ltd.</b>	
TITLE: ADAPTOR III			
593 SCHEMATIC DIAGRAM			
DWG. NO. VCON-PE-018		REV. 0	
UNIT	SCALE	TOL	
MATERIAL	DATE 2-6-87		
FINISH	DRAWN <i>Suby.</i>		
REV	REVISION	DATE	APPD. BY <i>T.C.H.</i>   ENG.   D.A. <i>[Signature]</i>

ADAPTER III PARTLIST  
 CREATED 14 MAY 87  
 SCHEMATIC DWG : VCON-PE-018  
 LOGIC PCB NO. : VCONIA-PE-005

REV. 3  
 UPDATED 2 SEP 87  
 REV. 0  
 REV. 0

ITEM DESCRIPTION	QTY.	REFERENCE
*** LOGIC BOARD ASSEMBLY ***		
LOGIC PCB (S-SIDED, 63x32mm)	1	
1 I.C.: ICL7660	1	U1
1 1488	1	U3
1 TRANSISTOR NPN 9014	1	Q2
ZENER DIODE, 10V 1/2W	1	Z1
DIODE IN4148	2	D1,D2
RESISTOR (1/2W, +/-5%, C-FILM): 47	1	R1
RESISTOR (1/4W, +/-5%, C-FILM): 4K7	2	R2,R3
CAPACITOR:		
10uF/16V ELECT.	2	C1,C2
100uF/16V ELECT.	1	C3
0.0001uF CER.	1	C4
*** ELECTRO-MECHANICAL ACCESSORIES ***		
1 DB25 CONNECTOR (FEMALE PIN 4 CONNECT PIN 5, PIN 6,8,20,22 CONNECT TOGETHER) W/HOUSING & 1.5M 3-CORE NON-SHIELDING CABLE	1	
1 DIN PLUG (5 PIN)	1	
DIN PLUG CLAMPING PLATE	1	
STRANDED WIRE, AWG 28, 4mm STRIPPED & TINNED AT BOTH ENDS L=40mm (FOR DIN PLUG)	5	
1 INLAY (PVC)	1	
CABLE TIE (4")	1	
BARE JUMPER WIRE L=12mm	7	J1,J2
SCREWS (SELF-TAP, CROSS RECESS, BINDING HEAD, TYPE A):		
M2.6x8 (FOR CAB.)	1	
M2.6x8mm (FOR CLAMPING PLATE)	2	
*** PLASTIC ***		
1 PLASTIC SET:	1	
TOP CABINET	1	
BOTTOM CABINET	1	